

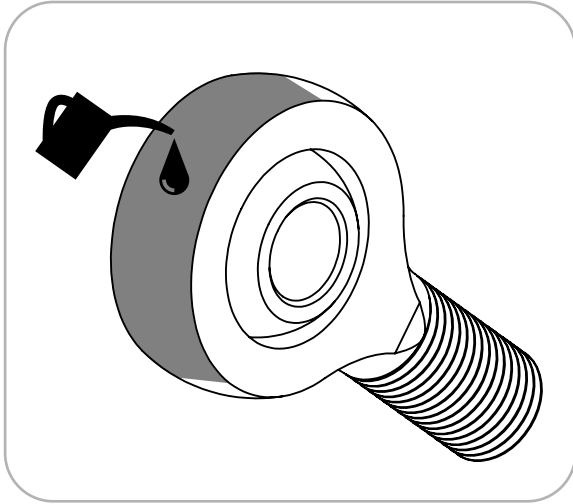


## PROTECTIVE HEIM-JOINT BOOTS - PART # NM.328870

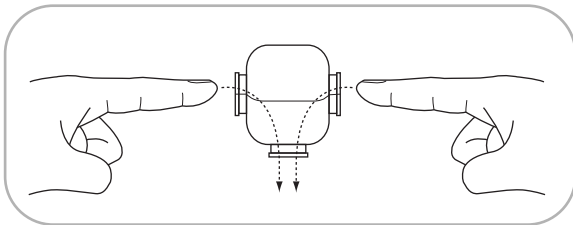
**PARTS LIST:**  
4 - PROTECTIVE HEIM-JOINT BOOTS

**TOOLS REQUIRED:**  
1 - ALL PURPOSE GREASE

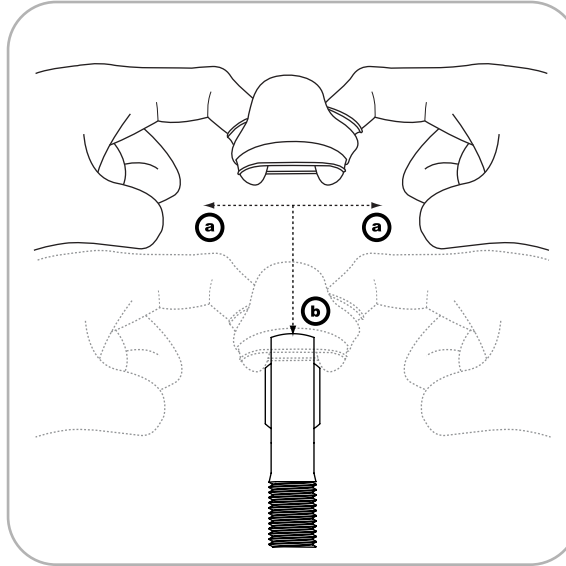
1 - WD-40



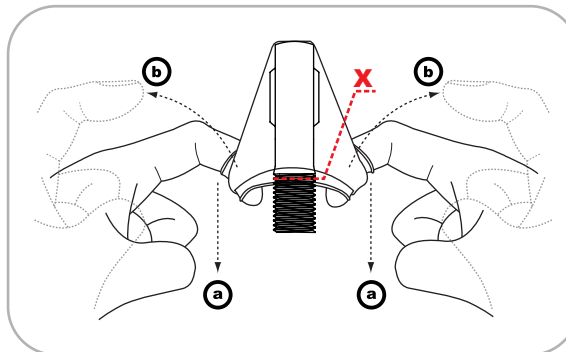
1. Lubricate outside of heim-joint with all purpose grease as shown. WD40 Works well.



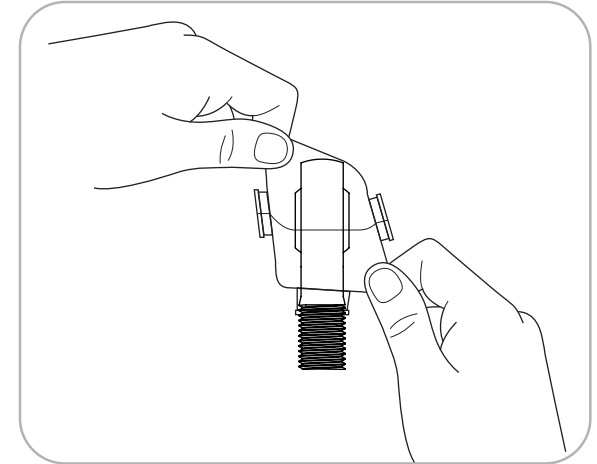
2. Insert fingers into boot as shown above.



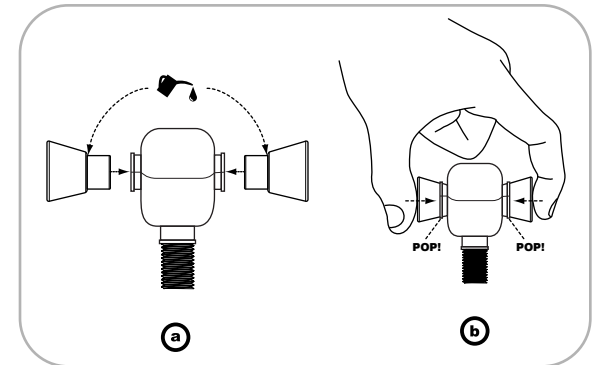
3. Stretch open boot's neck and pull over heim-joint.



4. The boot neck must be pulled down past [x] in figure above. Remove fingers carefully.



5. Adjust boot so the openings are align with heim-joint's bore.



6. Use small drop of lubricant (WD40) on spacers and insert into boot/heim-joint end. Boot openings will pop over the spacers.

Make sure the rubber boot doesn't get pinched between spacer and heim-joint.